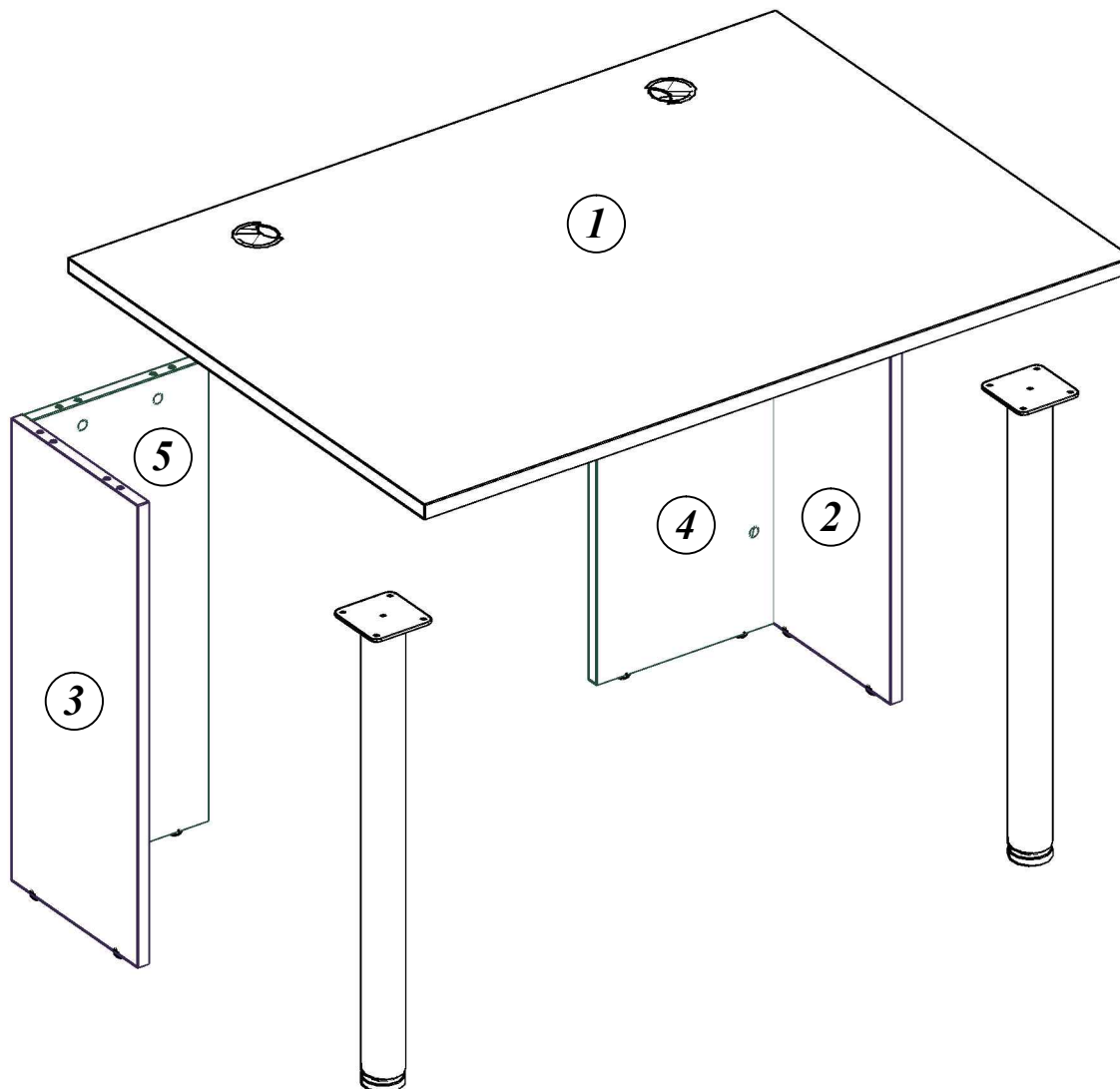
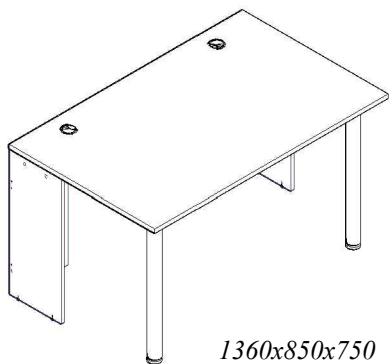
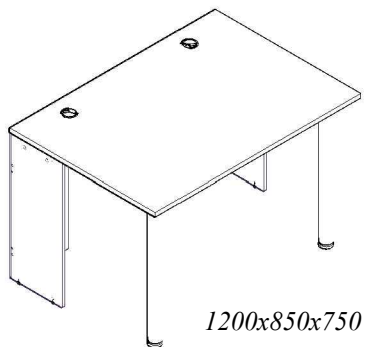


SSTG 1385 (HCT)

EAC



1		x12
2		x12
3		x12
4		x12
5		x8
6		x8
7		x2

